

## Mounting/Assembly

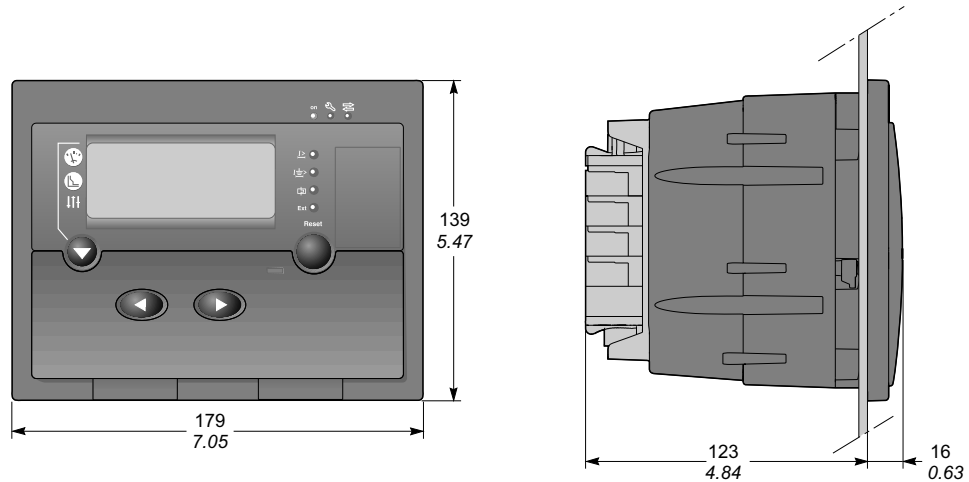
### Introduction

Sepam relays weigh 1.3 kg (2.87 lb) maximum and are flush-mounted in a mounting plate 1.5 to 4 mm (0.06 to 0.16 in) thick.

They are designed to be mounted indoors.

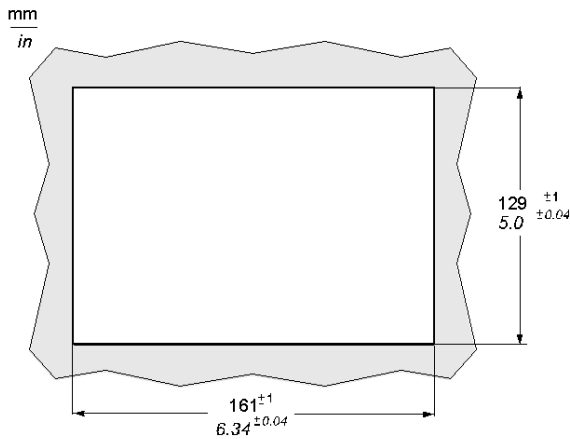
To ensure a waterproof seal, the surface of the panel must be smooth and solid.

### Dimensions



### Cut-out

Cut out the mounting plate as indicated:



## **⚠ CAUTION**

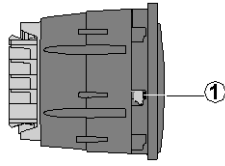
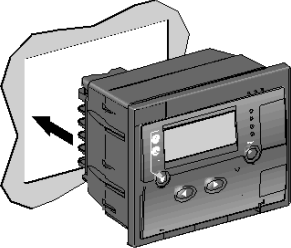
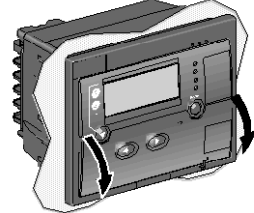
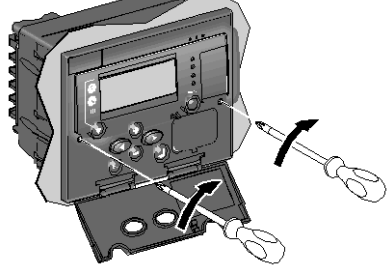
### **HAZARD OF CUTS**

Trim the edges of the cut-out plates to remove any jagged edges.

**Failure to follow these instructions can result in injury or equipment damage.**

### Installing the Sepam

The Sepam relay is held in place by 2 catches on the sides, behind the front panel:

Step	Action	Illustration
1	Mark the catches (1).	
2	Insert the Sepam unit through the cut-out.	
3	Open the settings protective flap.	
4	Tighten the screws as indicated using a no. 2 Pozidriv® screwdriver (maximum tightening torque: 2 N•m/17.7 lb-in).	
5	Check the position of the catches at the rear.	-
6	Close the settings protective flap.	-